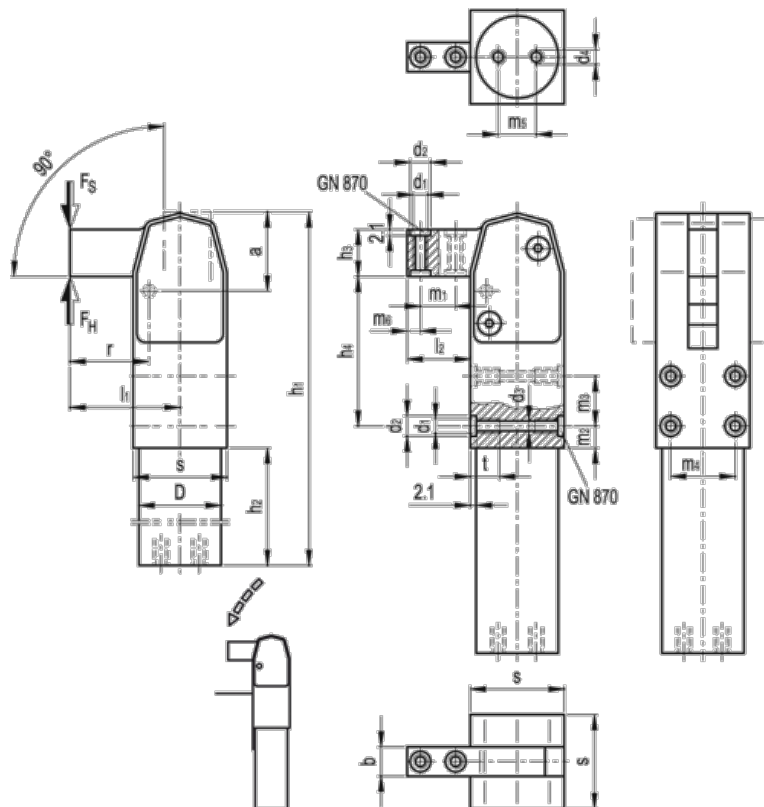


Article number: 201000035
 Description: E+G Power clamp
 GN 864-40-BL

Measures



a	= 45	h1 -0.5	= 244	m2	= 52
b -0.2	= 16	h2	= 104	m3 +/-0.01	= 18
Clamping force at 6 bar (approx.)	= 6740	h3	= 26	Weight (g)	= 2650
d1	= M8	h4	= 91.5	m5	=
d2 H8	= 11	Holding force FH (N)	= 7530	m6	=
d3	= 6.8	l1	= 244	Max clamping moment (Nm)	=
d4	= G 1/8	l2	= 63.0	Piston diameter	=
d h8	= 50	m1 +/-0.01	= 22	r	=